



GRILL GREASE CADDY

MODEL LS-1-60GG

The Grill Grease System works with any Frontline International waste oil systems. The Grill Grease system allows you to collect your grill grease throughout the day and pump it into any of our waste containment tanks. A handy chute funnels the grease into the grease caddy, minimizing mess. Solids are collected in an extra large sediment basket. Safe, silicone heater prevents congealing.

CONSTRUCTION AND FEATURES

- 100% heavy stainless steel construction
- Grease chute funnels waste into wheeled grease caddy
- Safe silicone heater to prevent congealing
- Swivel front and rear casters with brakes
- Extra-large grill sediment basket
- Power switch and break away power cord
- Easy, quick-connect fittings
- 110 V 15 A - 250 V 3.5 A 1/2HP motor
- Five-gallon (19 l) per minute pump
- Easy to clean seamless construction
- UL, UL Sanitation Listed
- One-year warranty parts and labor

BENEFITS

- No manual handling of grill grease
- Simple system fits under grill drains
- Grill grease drains into top opening throughout the day
- Insurance and Workers' Comp savings
- Labor savings and greater employee safety
- Cleaner grounds and image, avoid pollution fines



Installation and Operating Specifications

Model	LS-1-60GG Grill Grease Caddy
Power Requirements	110 V 15 A - 250 V 3.5 A, 50/60 Hz
Installation Space Requirements	16.125 in. l x 17.188 in. w x 21.15 in. h (409.6 mm x 436.6 mm x 537.21 mm)
Shortening Capacity	60 lb/8 Gal (27.2 kg/575 l)
Shipping Weight	72 lb / 130 lb on pallet (32.7 kg / 59 kg on pallet)
Documentation	Installation guide, Operating guide
Warranty	One-year parts and labor

Engineered with grease chute designed to funnel grill grease into the caddy.



Frontline International, Inc.

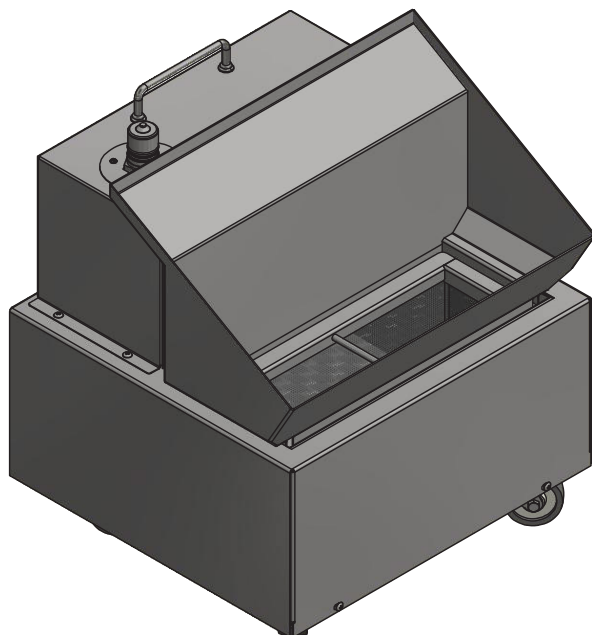
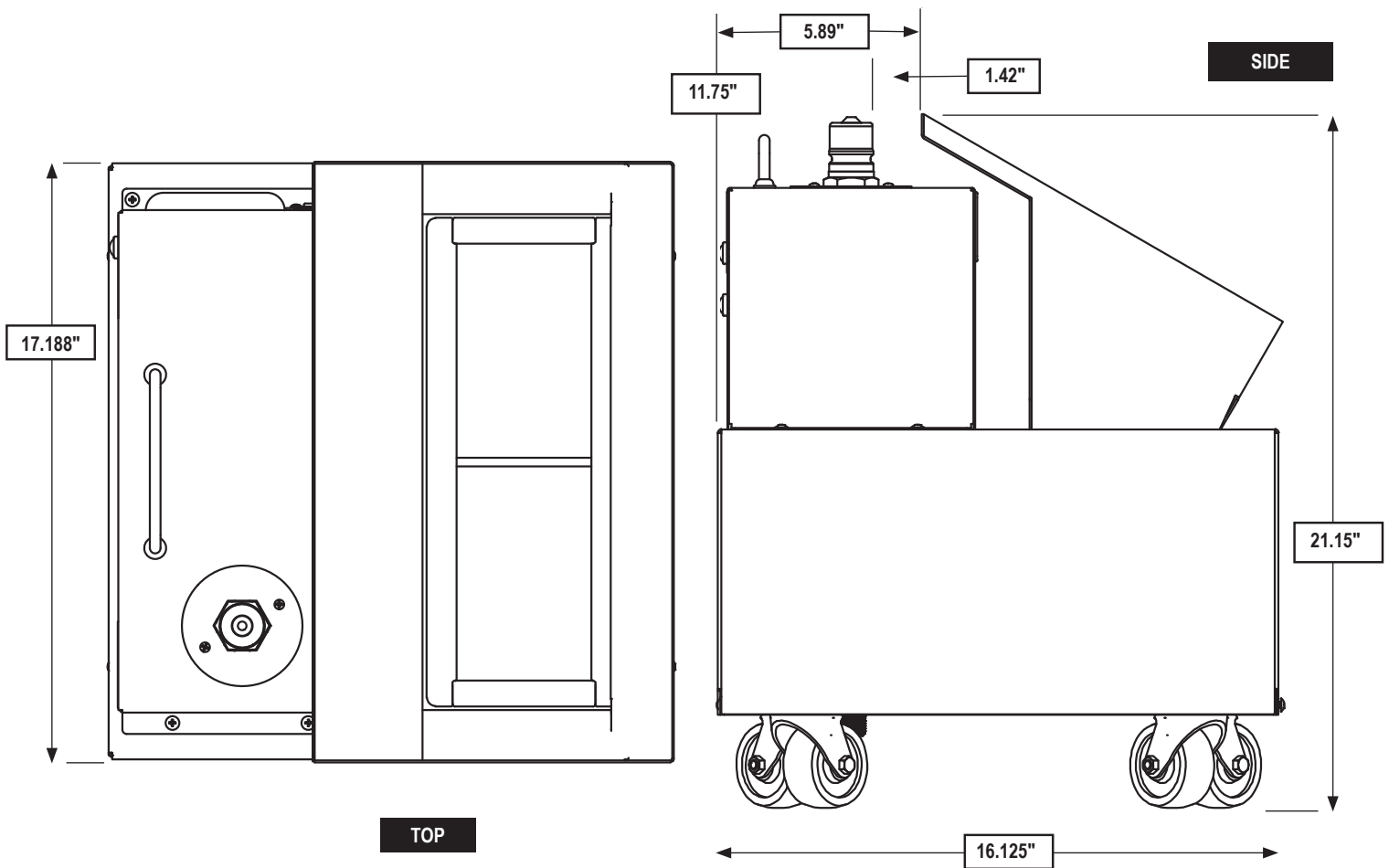
187 Ascot Parkway • Cuyahoga Falls, Ohio 44223
330-861-1100 • 877-776-1100 • frontlineii.com
Fax: 330-861-1105 • info@frontlineii.com

FRONTLINE
international

© Frontline International, 10/16

GRILL GREASE CADDY

MODEL LS-1-60GG



IMPORTANT

- The appliance is not to be used by persons (including children) with reduced physical, sensory or mental capabilities, or lack of experience and knowledge, unless they have been given supervision or instruction.
- Children should be supervised to ensure that they do not play with the appliance.
- If the supply cord is damaged, it must be replaced by the manufacturer, its service agent or similarly qualified persons in order to avoid a hazard.
- Not intended to be operated by means of an external timer or a separate remote-control system.
- This appliance is intended to be used in commercial kitchen applications.

Frontline International, Inc.

187 Ascot Parkway • Cuyahoga Falls, Ohio 44223
330-861-1100 • 877-776-1100 • frontlineii.com
Fax: 330-861-1105 • info@frontlineii.com

FRONTLINE
international

© Frontline International, 10/16